

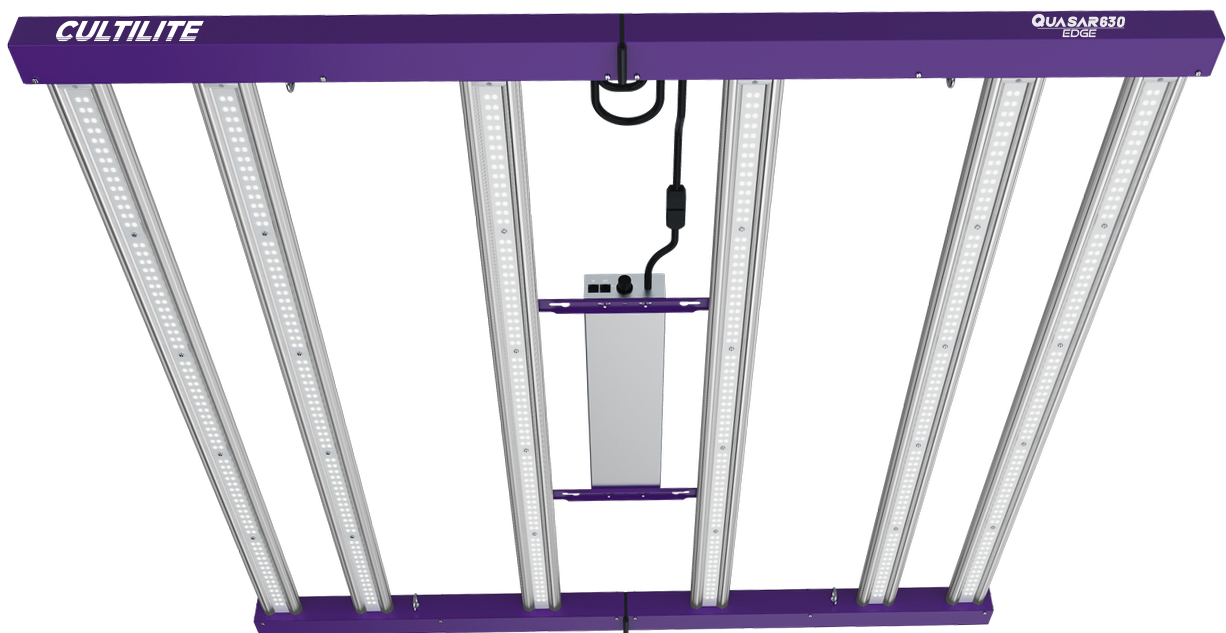
TECHNICAL SHEET

SCHEDA TECNICA

QUASAR 630

EDGE

LED Horticulture Light
FULL SPECTRUM



Shine with precision,
grow with success



POWER
630W



PPE
3.3
 $\mu\text{mol}/\text{J}$



BEAM OF LIGHT
UNIFORM

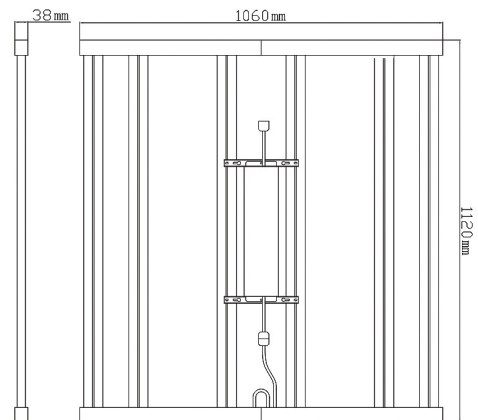
CULTILITE
HORTICULTURAL LIGHTING

PPDF - TEST AREA 1,2X1,2M

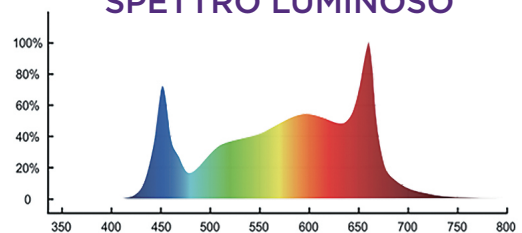
557	513	509	491	514	447	461	476	460	445
741	969	893	998	716	623	768	758	780	616
926	937	887	969	919	800	833	820	845	788
737	978	913	994	757	649	800	774	782	634
549	551	553	574	596	498	506	514	497	481
30cm					45cm				
436	443	450	434	419	345	371	398	377	357
556	643	651	645	548	422	480	495	491	427
676	728	718	720	678	500	531	539	529	497
569	665	652	639	546	432	487	493	467	417
463	464	466	440	414	364	375	386	361	337
60cm					90cm				

TECHNICAL SPECIFICATION - SPECIFICHE TECNICHE

Model - Modello	QUASAR 630 EDGE
Input power Consumo di potenza	630W±5%
Efficacy Efficienza	3.3 µmol/j
PPF (Photosynthetic Photon Flux)	2.106 µmol/S
Number for light bars N° di barre luminose	6 bars 6 barre
Input voltage Tensione di ingresso	200-240VAC
LED quantity Quantità di LED	1872 pcs
Mounting height Altezza di montaggio	≥6" (15cm) above canopy sopra la pianta
Thermal management Gestione termica	passive passiva
Lifetime Durata	50.000 HRS
Power factor Fattore di potenza	>95%
Colour rendering index Indice di resa cromatica	Ra>80
Working temperature Temperatura di lavoro	-25~40°C
Control Controllo	0-10V Dimming
Daisy-Chain port Porta Daisy-Chain	RJ11
Chip	1728 pcs 3030 LED 4000K white light 144 pcs 3030 LED 660nm red light



SPECTRUM SPETTRO LUMINOSO



Max Amperage by voltage service Amperaggio massimo per tensione

Voltage	200V	220V	240V
630 W	3.31A	3.01A	2.73A

Warranty - Garanzia
2 Years - 2 Anni

For more information on CULTILITE products visit
Per ulteriori informazioni sui prodotti CULTILITE, visita

www.cultilite.com



PATENTED PRODUCTS, COUNTERFEITING NOT ALLOWED.

Made in China